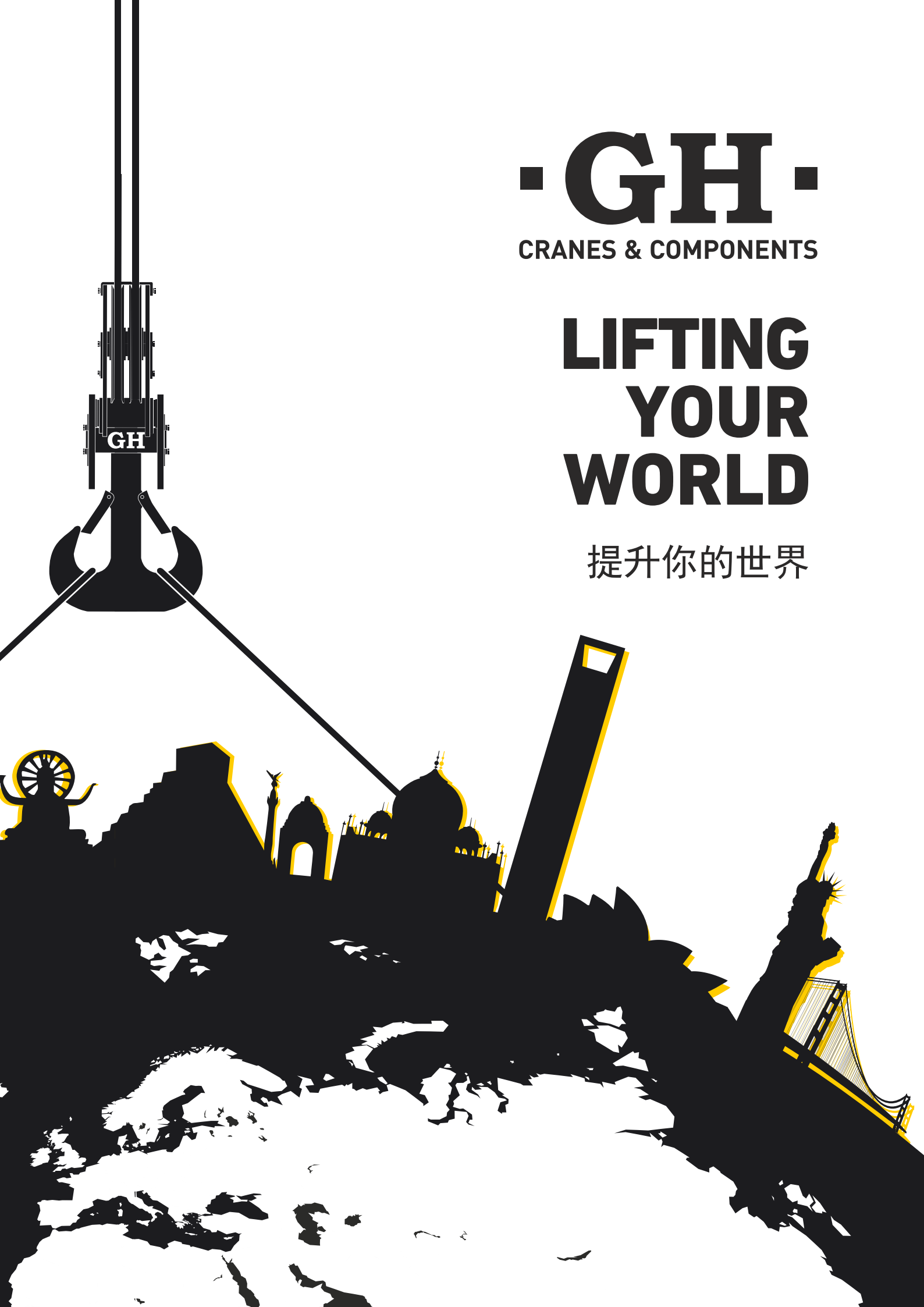


· GH ·

CRANES & COMPONENTS

**LIFTING
YOUR
WORLD**

提升你的世界



Global Top Supplier

Recognized as global TOP supplier for professional lifting equipment solution, Service and Spare parts in numerous industries
 在诸多行业被公认为起重设备、备件及服务的全球顶尖供应商

INTERNATIONAL FOOTPRINT 全球足迹

7 strategic locations 7大战略国家



GH MAIN MILESTONES GH拥有

Own 8 manufacturing Facilities
 拥有 8 个制造基地

Selling to over 60 Countries and Regions
 业务超过 60 个国家和地区

Over 60 Years of performance in cranes industry
 超过 60 年起重机制造行业经验

Over 80 Years of history
 超过 80 年历史

Over 100,000 global successful installations
 全球有 10 万多个成功安装案例

全球顶尖供应商

Country 国家	Office/Warehouse 办公室/仓库	Factory 工厂
HQ 西班牙总部	825	45,000
USA 美国	800	-
Mexico 墨西哥	350	4,600
Brazil 巴西	300	5,500
France 法国	400	2,200
Poland 波兰	350	13,000
China 中国	1200	-
Thailand 泰国	250	6,000
	4,475m ²	76,300m ²



Wide standard product range to fulfill most customers demand
丰富的产品范围能满足绝大多数客户的应用需求

Taylor made engineering design to meet the most demanding requirements
强大的工程设计能力可以满足客户最严格的需求

Evolution 历史变革

GH has been focused on R&D and Innovation in lifting industry since its first steps
从最初的发展开始，GH一直致力于起重行业的产品研发及革新

Functional 满足基本功能

1960 

1980 

1990 

2000 

2010 

Efficient 高效
Reliable 可靠
Safe 安全
Including more features 具备更多特色
Long life span 使用寿命长
Compact 结构紧凑
Modular - Easy maintenance
模块化设计-易于维护保养

Much more than just a product 不仅仅是一款产品

GH Vision & Mission

GH愿景与使命



GH GROUP

GH集团

GH is one of the global leaders in the lifting industry, which has been always driven by the following belief: "science and technology should serve to enhance the civilization of the mankind", sparing no efforts to promote mature technology in each lifting industry, which has been widely recognized and supported. over the course of more than half a century of development, GH has lead the industry, step by step, reinventing the business, each time more powerfully. In many industries, GH is recognized as the world's leading supplier for its reliable lifting equipment, spare parts and services.

作为全球起重行业的领导者之一，GH一贯坚持“科技应该为提升人类文明服务”的信念，并始终不遗余力地推动起重行业向前发展，得到了广泛的认可和支持；在长达半个多世纪的发展历程中，GH一步一个脚印，引领这个古老的行业一次次焕发出青春和活力；在诸多行业被公认为起重设备、备件及服务的全球顶尖供应商。

GH is a family owned company with deep roots on its business basics: safety, efficiency, robustness, environment protection, user-friendly design and low-in-maintenance products; persevering on integrating all these elements into every single aspect of GH products' development and manufacturing.

GH深谙起重设备必备要素：安全、效率、美观耐用、环保、用户友好、维护率低，并持之以恒把这些要素融入公司从产品研发到设计制造的每一个细节。

Focused on continuous R&D and innovation, GH MISSION is to PROMOTE our CUSTOMERS' EFFICIENCY & PROFITABILITY by offering suitable SOLUTIONS TO THEIR NEEDS, minimizing our clients' operating costs and easing adverse environmental impact involved in the industrial production.

通过持续不断的研发和革新，GH致力于向各行业用户提供最适合其业务需求的产品和服务，在极力提高用户的商业效率和盈利能力的同时，降低用户的长期运营成本，减少工业生产对环境带来的负面影响。



GH VISION is to BE RECOGNIZED AS THE PREMIUM SUPPLIER thanks to OUR VALUES: BEST QUALITY, PARTNERSHIP WITH OUR CLIENTS and SUPPLIERS, HONESTY and HUMILITY.

GH的愿景：立足于自己的品牌价值（最好的品质，同客户和供应商之间的伙伴关系，真诚，和谐），使自己成为最优秀的供应商。

GH meets the highest Standards in design and manufacturing, including FEM, DIRECTIVE OF MACHINES, ISO, CMAA, etc. Devoting to the excellence of our 100% made in Europe mechanisms and value added services.

GH遵循最严格的设计标准，包括FEM，ISO，CMAA等。致力于实现完全100%欧洲制造产品的机械特性，以及增值服务。

The best materials and parts, and top manufacturing processes ensure the delivery of reliable equipment with an easy maintenance.

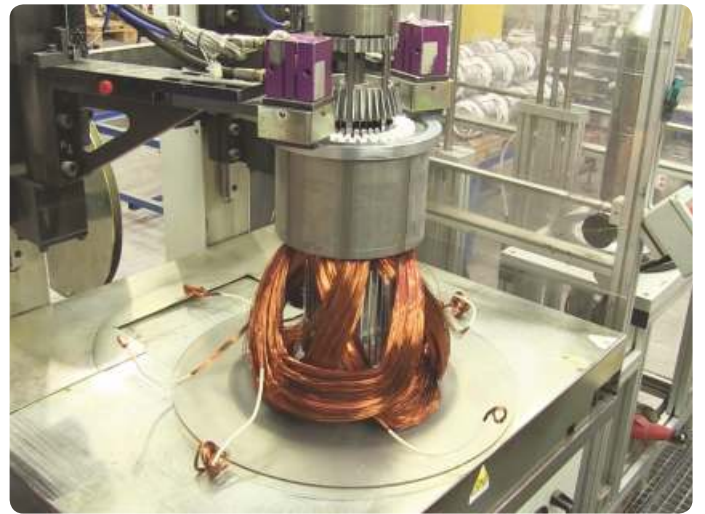
GH采用最好的原材料，最先进的加工工艺，以确保所提供的整体设备具有高的可信度，同时便于维护和保养。

Reliable commercial parts, we used for the equipment, as much as possible, to increase the interconvertibility of the parts and then satisfy the clients by decreasing their concern about losing the initiative in maintenance, restoration and upgrade of the equipment.

GH尽可能采用成熟的零部件，最大程度提高零部件的互换性以降低用户顾虑和不可控风险。

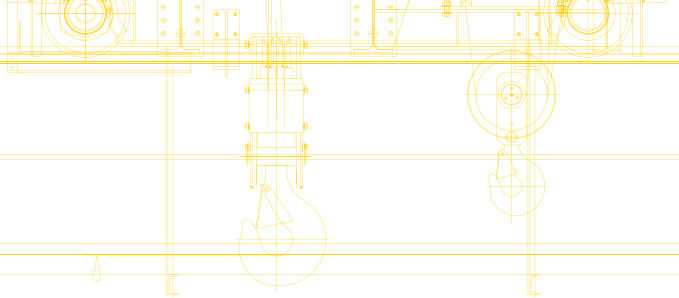


**DESIGNED, ENGINEERED,
& 100% COMPONENTS
MADE IN EUROPE**



Product Range

产品范围



OVER CROSSING TROLLEY
层叠小车

Maximized hook approach.
最大化吊钩工作区域
Headroom space increased.
增加了厂房顶部空间



ROTATORY TROLLEY
回转式小车

360° rotatable
360°度可旋转

DOUBLE GIRDER EOT CRANE
双梁桥式起重机

Capacity up to 500t.
额定载荷达500吨



ULTRATHIN TROLLEY
超薄小车

Capacity up to 32t.
额定载荷达32吨
Height of Lifting up to 28m
起升高度达28米



NEW GENERATION TROLLEY
新一代超薄小车

Fully inverter controlled
全变频控制
Self-rectify cross traveling
小车运行自纠偏
Minimized self-weight
小车结构轻量化
Ultra durable wheel system
超耐用走轮系统
Anti-jump trolley structure
小车架防跳结构
60% speed increase within 25%
nominal load
承载量在25%额定载荷之内
时，小车起升速度增加60%



Ultrafino Standard 标准超薄小车



With end-carriages 带端梁

DG TROLLEY
双梁小车

Capacity / 额定载荷:
Up to 100t with hoist and
Up to 500t with open winch.
钢丝绳电动葫芦达100吨,
开放式小车达500吨



ULTRATHIN DOUBLE GIRDER EOT CRANE
超薄型双梁桥式起重机

Minimized Crane Thickness
最小化的起重机厚度
Ultra Narrow space applicative
适用于极端受限空间

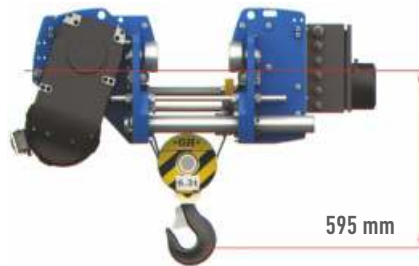
Product Range

产品范围



NEW GENERATION HOIST 新一代单梁葫芦

Capacity up to 12.5 ton
额定载荷达12.5吨
Fully inverter controlled
全变频控制
No counter weight in Low headroom version
无配重设计
Minimized self-weight
自重轻
Minimum side approach
最小化的边界尺寸
60% speed increase within 25% nominal load
在25%额定载荷的承载条件下，
起升速度增加60%



SINGLE GIRDER EOT CRANE
单梁桥式起重机

Capacity up to 20t.
额定载荷达20吨



Low headroom
低净空葫芦



CURVED MONO RAIL CRANE
弯轨单轨吊

1.5m as minimum turning radius
最小转弯半径为1.5米



Suspended
标准悬挂葫芦



SIDE RUNNING TROLLEY
侧挂运行小车

Applicable in limited side
适用单侧受限环境
Hook approach offset
吊钩工作区域偏移
Hook path increased
吊钩提升高度增加

Product Range

产品范围



SINGLE GIRDER: CAPACITY UP TO 20+20t.
单梁起重机，额定载荷达20+20吨



MULTIPOINT SINGLE GIRDER UNDERSLUNG CRANE. CAPACITY UP TO 20+20t.
多支点单梁悬挂起重机，额定载荷达20+20吨

UNDER SLUNG CRANES 悬挂起重机



DOUBLE GIRDER: CAPACITY UP TO 20+20t.
双梁起重机，额定载荷达20+20吨



MULTIPOINT DOUBLE GIRDER UNDERSLUNG CRANE. CAPACITY UP TO 20+20t.
多支点双梁悬挂起重机，额定载荷达20+20吨

- Pin connection in one of the hanging end carriages avoiding hyper static forces,
在一个下悬端梁上使用销轴连接，防止超静力
- Long travelling horizontal rollers favoring stable running,
大车水平导向轮，确保平稳运行
- Close loop long travelling inverter controls avoiding crane crossing effects.
闭环大车运行变频器，防止大车交叉效应

Product Range

产品范围

WALL RUNNING CRANES 壁行式起重机



DOUBLE GIRDER
双梁壁行吊

Independent working places at both sides of the same bay
在同一跨车间内，可以独立运行在各自的区域内
Optimized design ensuring minimum vertical and horizontal wheel loads
最优化的设计确保最小的垂直轮压和水平轮压
Tailor made solutions arriving to any need
强大的工程设计能力可以实现满足各种需求的解决方案



SINGLE GIRDER
单梁壁行吊

CAPACITY UP TO 25t. 额定载荷达25吨



Product Range

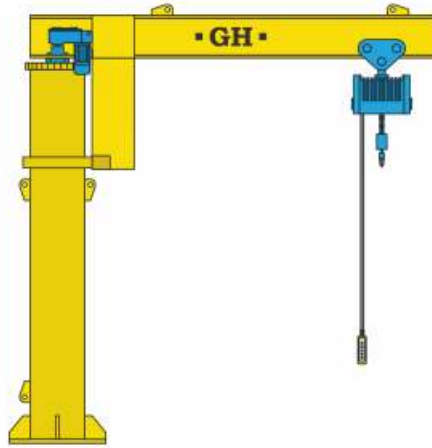
产品范围

INDUSTRIAL JIB CRANE 工业用旋臂吊



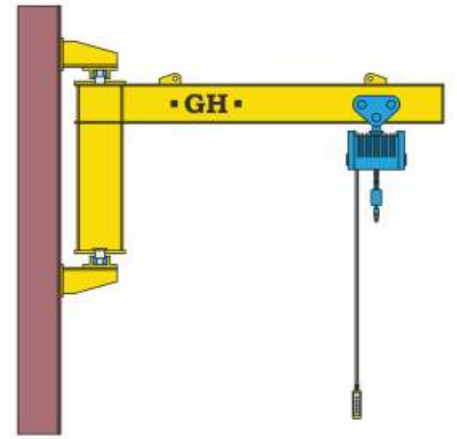
STANDARD 标准型

Motor powered rotatory 360°
电动360°度旋转
Capacities ranging from 2.5t to 20t.
额定载荷：从2.5吨到20吨
Embedded foundation required
地面基础需要做结构预埋



COLUMN MOUNTED (SMALL CAPACITIES) 立柱安装（小吨位额定载荷）

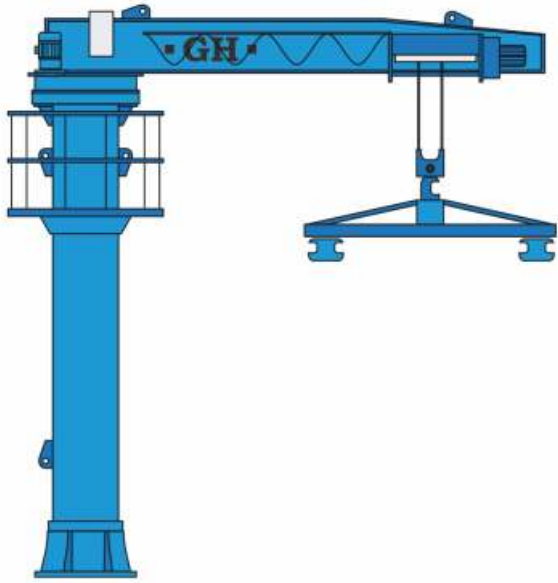
Motor powered rotatory 360°
电动360°度旋转
Capacities ranging from 125kg to 4t.
额定载荷：从125公斤到4吨
Embedded foundation required
地面基础需要做结构预埋



WALL MOUNTED (SMALL CAPACITIES) 墙壁安装（小吨位额定载荷）

Manually rotatory 180°
手动180°度旋转
Capacities ranging from 250kg to 2t.
额定载荷：从250公斤到2吨





PORT JIB CRANE
码头旋臂吊

Motor powered rotatory 360°.
电动360°旋转
Embedded foundation required.
地面基础需要做结构预埋
Material and parts resistant to Marine Climate.
耐海洋气候的原材料和部件
Anticorrosion treatment. 防腐处理
Off shore painting. 适用海边的油漆
Stainless steel cabinet. 不锈钢电控箱
Spreader and slings as optional equipment.
吊梁以及吊索可供选配
Embedded foundation required. 需打地基



Product Range

产品范围

GANTRY CRANES, CAPACITY UP TO 500t. 龙门式起重机，额定载荷达500吨



GANTRY CRANES 龙门起重机

Double girder or single girder solutions
双梁或单梁解决方案
Cantilever(s) as option
悬臂可供选择



SEMIGANTRY CRANES, CAPACITY UP TO 500t. 半龙门起重机，额定载荷达500吨



SEMI-GANTRY CRANES 半龙门起重机

Double girder or single girder solutions
双梁或单梁解决方案
Good solution for restricted space applications
受限区域应用的完美解决方案



EQUIPMENT INCLUDED IN OUTDOOR APPLICATION 适合户外应用

Rail sweeper 扫轨器
Rain-proof 防雨装置
Wind-proof 防风装置
Anti-thunder 防雷装置
Dehumidification system 除湿系统
Manual or automatic locking devices 手动或自动锁定装置
Outdoor painting 室外的油漆



Product Range

产品范围

RUBBER TYRE GANTRY CRANES (RTGS) 工业轮胎式龙门起重机



Structure with an articulated union 具有铰接式的结构
Automatic steering alignment 自动转向对齐
Hydraulic stainless steel piping 液压不锈钢管
Cooled Diesel propellent motors 自冷式柴油驱动液力马达



INDUSTRIAL 工业用轮胎式起重机

Capacities: 20 - 300t.
额定载荷: 20-300吨
Wide range of industrial applications
广泛的工业应用





MARINE
船用起重机

Capacities: 22 - 400t. 额定载荷: 22-400吨
 Soundproof power unit. 隔音柴油机组
 Special painting for marine environment.
 适用于海洋环境的特殊油漆



Product Range

产品范围

TRANSFER CARTS 移动式平板车



BATTERY POWERED STEERABLE CART 电池驱动可移动式平板车

Capacities ranging from :10 to 60t.
额定载荷：10吨到60吨
Freely moveable on flat grounds, indoors and outdoors.
可以在平地，室内及室外自由移动



BATTERY POWERED RAIL-MOUNTED CART 电池驱动的沿轨道运行的平板车

Capacities ranging from :10 to 100t.
额定载荷：10吨到100吨
Running on rails in straight line, indoors and outdoors.
沿着直线的轨道运行（室内及室外）



ELECTRIC POWERED RAIL-MOUNTED CART 电驱动的沿轨道运行的平板车

Capacities ranging from: 10 to 100t.
额定载荷：10吨到100吨
Running on rails in straight line, indoors and outdoors
沿着直线的轨道运行（室内及室外）
Can be powered by a winder or a shielded cable
可以通过卷筒或滑线供电



SPECIAL TRANSFER CART: TRAVERSER 特殊平板车

Used for moving vehicles running on rails,
mainly for trains maintenance work.
用于搬运轨道车辆，尤其是火车维护工作
Capacities ranging from: 60 to 150t.
额定载荷：60吨到150吨

TAYLOR MADE SOLUTIONS 定制方案



GRAB CRANE
抓斗吊



MULTIPLE POINTS UNDERSLUNG TANDEM WORKING CRANES
多吊点同步运行悬挂起重机



FOUNDRY CRANE
铸造吊



ROTATORY TROLLEY CRANE
旋转小车起重机



CONTAINER HANDLING CRANE
集装箱装卸起重机



TAILORED REEVING LIFTING SYSTEM
定制绕绳系统起重设备



POLAR CRANE
环轨吊

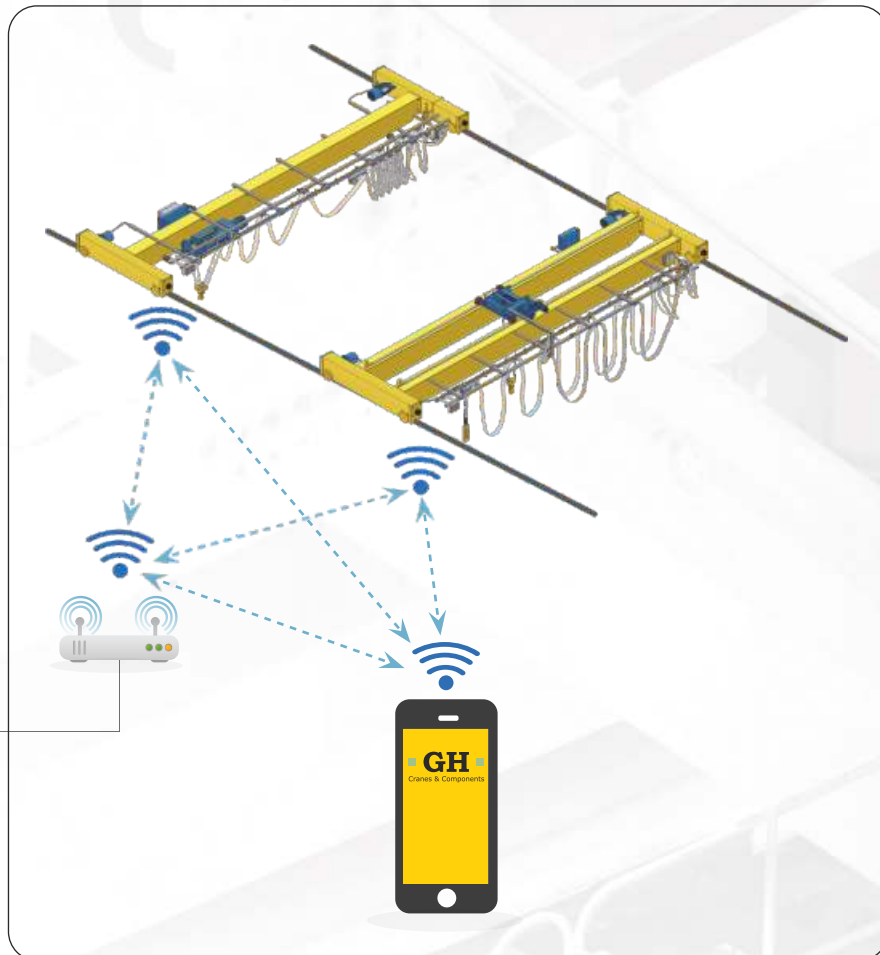
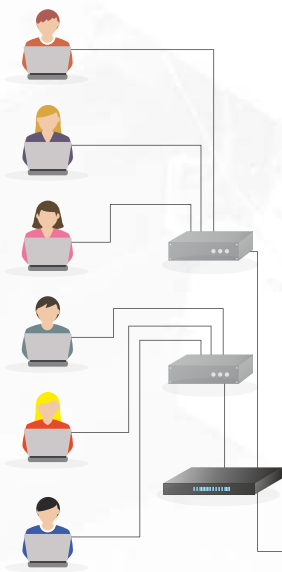
GH Service

GH售后服务

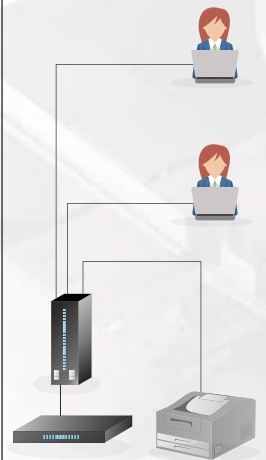
PRODUCT SCOPE. BUTLER SERVICE BASED ON REAL-TIME SUPERVISION.

产品范围。基于实时监控的设备管家服务

User Side
用户端



Server Side
服务端(可选)



Internet
英特网



Customer-oriented organization
 客户至上的经营构架
 Service based on the prevention
 以预防为主的服务宗旨
 Qualified engineers
 资深专业的服务人员

GH CUSTOMER SERVICE PRODUCTS

GH客户服务产品：

- Maintenance. 维护保养
 - Preventive maintenance. 预防性维护
 - On-site maintenance. 现场维护
 - Safety maintenance. 安全性维护
 - Corrective maintenance. 修复性维护
- Emergency breakdown. 紧急维修
- Spare parts. 备件
- Repairs. 维修
- Revamping and modernization. 升级与改造
- Training. 培训
- Inspections. 检查
- Consultation. 咨询服务
- Installations and commissioning. 安装调试

WE ARE COMMITTED TO

我们致力于：

- Protect and improve the lifting equipment of our customers.
 提高设备的安全和性能
- Improve the efficiency of the cranes.
 提高设备的可靠性和生产率
- Reduce downtime increasing the productivity of our client.
 减少设备故障停机以提高客户生产力



SERVICE CONTACT NUMBER
 售后电话

0512-5705 9022



/ GH, Spain central offices



Beasain
CENTRAL OFFICES
T: +34 943 805 660
ghcranes@ghcranes.com



Olaberria
GH GLOBAL SERVICE
T: +34 902 205 100
globalservice@ghcranes.com



Alsasua
T: +34 948 467 625



Bakaiku
T: +34 948 562 611



Jaén
T: +34 902 205 100

/ GH, subsidiaries in the world



Brazil
Cabreúva
GH DO BRASIL IND. E
COM. LTDA.
T: +55 1144090066
ghdobrasil@ghdobrasil.co
m.br



China
Shanghái
GH (SHANGHAI)
LIFTING EQUIPMENT
CO., LTD.
T: +86 21 5988 7676
ghchina@ghsa.com



Colombia
Bogotá
GH COLOMBIA SAS
T: +57 1 750 4427
yezpeleta@ghsa.com



France
Couëron
GH FRANCE SA
T: +33(0) 240 861 212
ghfrance@ghsa.com



India
Pune
GH CRANES INDIA PVT.
LTD.
T: +91 89561 35444
ghindia@ghsa.com



Mexico
Querétaro
GRÚAS GH MEXICO SA
DE CV
T: +52 44 22 77 55 03
+52 44 22 77 50 74
ghmexico@ghsa.com.mx



Peru
Lima
GH PERÚ S.A.C.
T: +51 987816231
gferradas@ghsa.com



Poland
Kłobuck
GH CRANES SP. Z O.O.
T: +48 34 359 73 17
intertech@ghsa.pl



Portugal
São Mamede do Coronado
GH PORTUGAL
T: +351 229 821 688
geral@ghsa.com



Russia
Moscow
GH RUSSIA
T: +7 (495) 745 69 26
ghrussia@ghsa.com



Thailand
Chonburi
LGH Cranes
T: +66 (0) 2327 9399
M: +66 (0) 8 4660 1365
ghthailand@ghsa.com



UAE
Dubai
GH Cranes Arabia FZCO
Office no. 517, 5th Floor,
Jafza Building 16,
Jebel Ali Free Zone,
P.O Box Number - 263594
T: +971 4 8810773
gharabia@ghcranes.com



USA
Illinois
GH CRANES USA
T: (815) 277 5328
ghcranesusa@ghsa.com



USA
Texas
F&G CRANES
T: (972) 563 8333
info@fg-ind.com

GH

INDUSTRIAS ELECTROMECÁNICAS GH, S.A.

Apdo. 27 - B° Salbatore
20200 BEASAIN (Gipuzkoa) Spain
tel: (+34) 943 805 660
fax: (+34) 943 888 721



ghcranes@ghcranes.com
www.ghcranes.com